

Parts Catalogue



SANTA IZABEL

Implementos Agrícolas



GAISI - 32



GAISI - 36



GAISI - 40

GAISI

Santa Izabel Intermediate Disc Harrow

August / 2007

Review 01 - JUNE 2012



GAISI - TECHNICAL SPECIFICATIONS

- Indicated for heavy jobs that require deep penetration to reform the soil already cultivated, to prepare the soil for sugar cane, grain and pasture.
 - Offers high productivity together with an excellent job performance.
 - All of the models are equipped with oil bath bearing. Permanent Lubrication.
- The whole structure is made with high-resistance structural steel thus not requiring the reinforcements usually adapted to conventional disc harrows.
- It also offers an exclusive front leveling system through a hydraulic system that substitutes the traditional mechanical systems and offers many more advantages.
 - This model of disc harrow can be assembled with 28" discs (standard) or with 30" discs (option), without having to adapt any kind of plates at the bearing's base.
 - It also offers a wheel articulation system equipped with high-flotation tires (400/600-15.5) and high cargo capacity and at an excellent height for transportation.
 - The chassis have cross-section regulators to correct for disc interspersions.
 - Front x Rear, besides offering a sharper cutting angle compared to other disc harrows



GAISI - 32



GAISI - 36



GAISI - 40

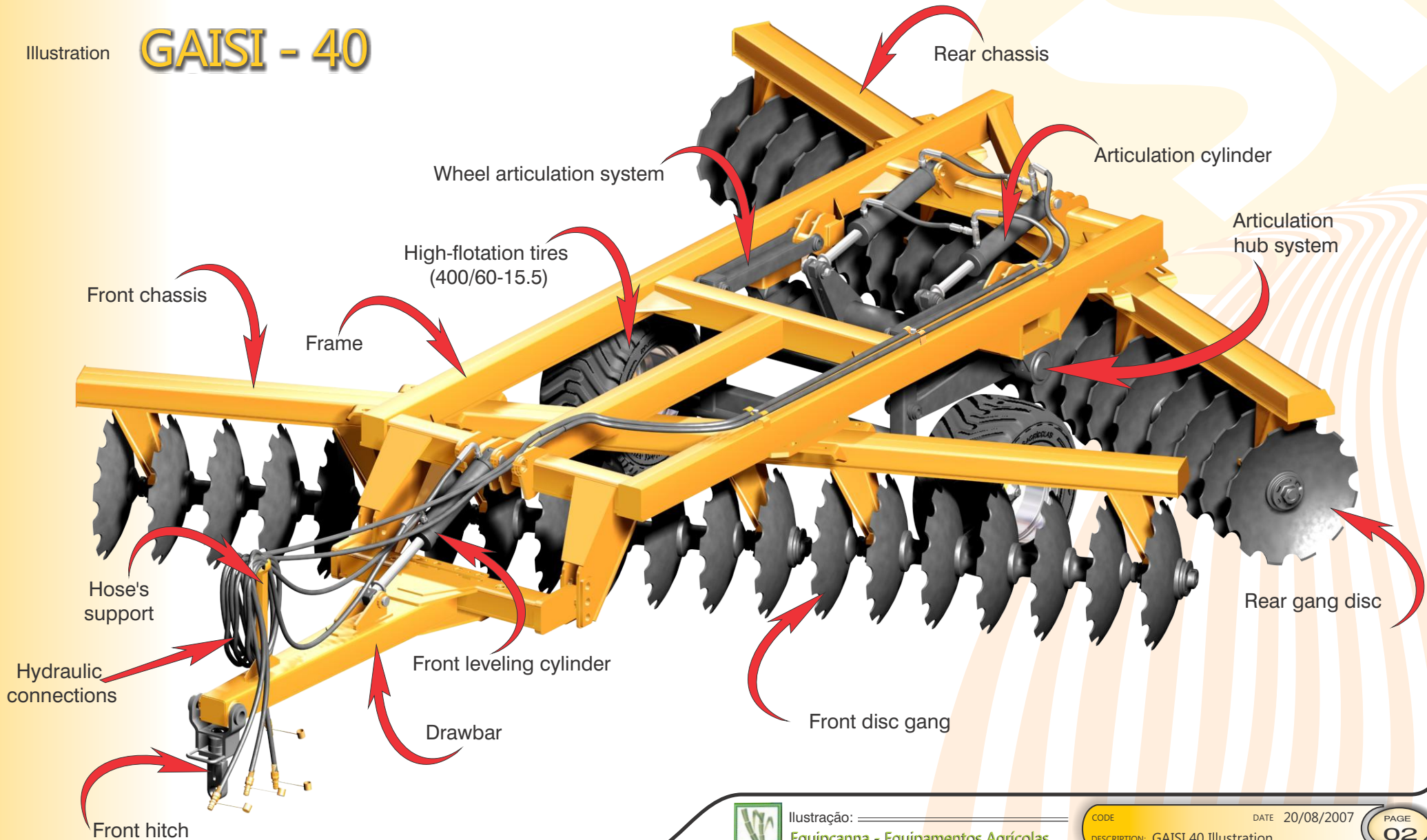
Code	Model	Disc Diameter	Shaft Diameter	Disc Spacing	Cutting Width	Approximate Weight	Power Requirements (Wheel type)
10.67.1051	GAISI 32	28"	1.3/4"	270 mm	2350 mm	3220 Kg	130 a 150
10.67.1052	GAISI 32	30"	1.3/4"	270 mm	2350 mm	3220 Kg	130 a 150
10.67.1048	GAISI 36	28"	1.3/4"	270 mm	2700 mm	3950 Kg	150 a 180
10.67.1049	GAISI 36	30"	1.3/4"	270 mm	2700 mm	3950 Kg	150 a 180
10.67.1042	GAISI 40	28"	1.3/4"	270 mm	3050 mm	4250 Kg	180 a 200
10.67.1043	GAISI 40	30"	1.3/4"	270 mm	3050 mm	4250 Kg	180 a 200

"Pursuant to the continuous improvement program for the products of the company, the specifications contained herein may be changed without prior notice and without the commitment of altering pieces of equipment previously manufactured".



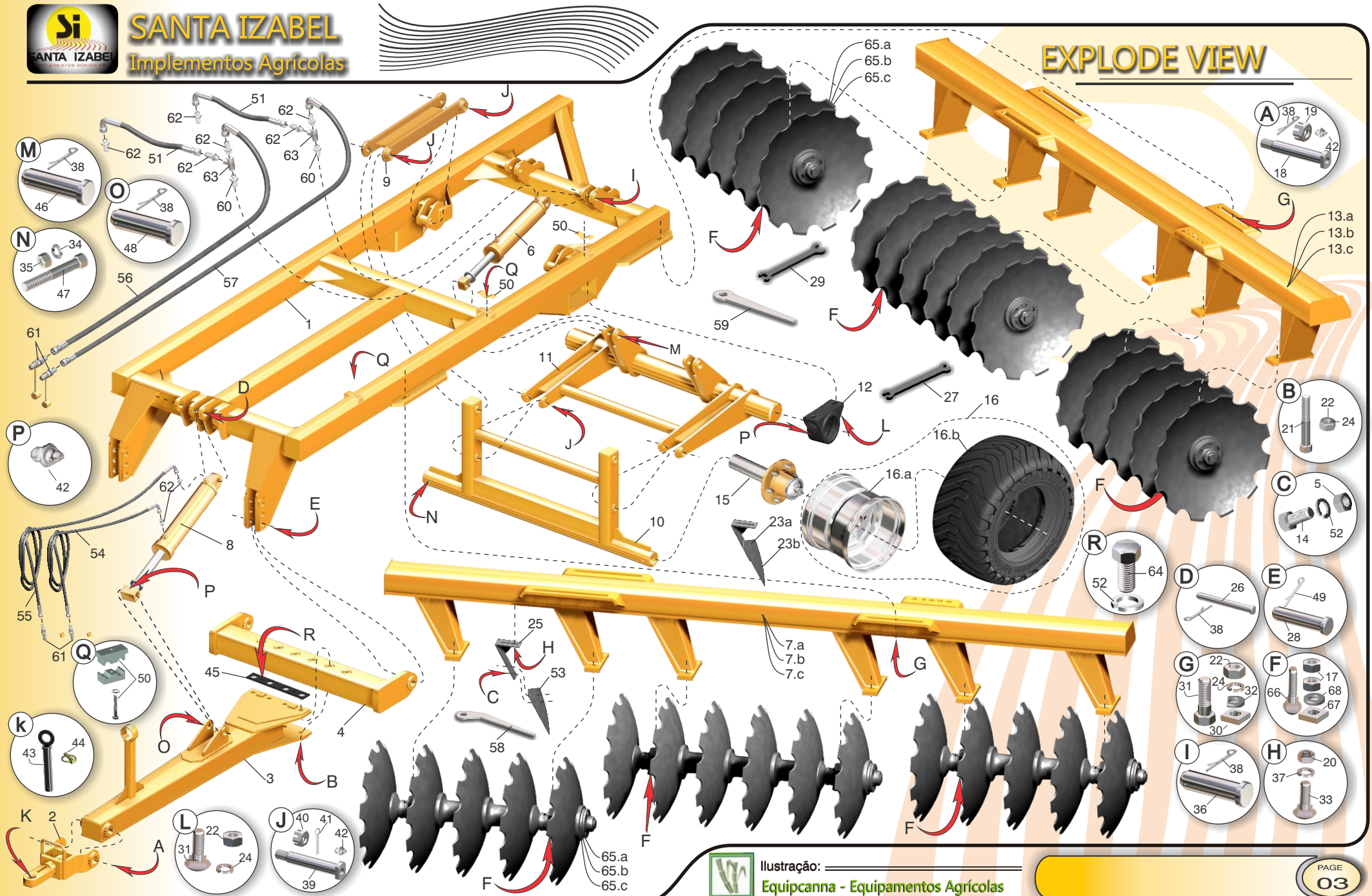


Illustration **GAISI - 40**





EXPLODE VIEW





EXPLODE VIEW

ITEM	CODE	DESCRIPTION	32	36	40
01	20.66.0137	Frame	01	01	01
02	20.66.0005	Front Hitch	01	01	01
03	20.66.0080	Drawbar	01	01	01
04	20.66.0016	Offset Bar	01	01	01
05	40.16.5105	Hexagon Nut 1/2"	64	72	80
06	40.03.6044	Articulation Cylinder	02	02	02
07.a	20.67.0030	Front Chassis	01		
07.b	20.67.0116	Front Chassis		01	
07.c	20.67.0083	Front Chassis			01
08	40.03.5456	Front Leveling Cylinder	01	01	01
09	20.66.0015	Pantographic Bar	02	02	02
10	20.66.0096	Wheel System Internal Support	01	01	01
11	20.66.0017	Wheel Axle	01	01	01
12	20.66.0049	Wheel axle bearing	02	02	02
13.a	20.67.0033	Rear Chassis	01		
13.b	20.67.0117	Rear Chassis		01	
13.c	20.67.0084	Rear Chassis			01
14	40.16.5255	Hex. Bolt 1/2" BSW x 1.1/2"	64	72	80
15	20.23.0524	Wheel Hub (page 12)	02	02	02
16.a	20.67.0057	Assembled Wheel	02	02	02
16.b	40.18.0105	Wheel	02	02	02
16.c	40.16.6021	High Flotation Tire (400/600-15.5)	02	02	02
17	40.16.5079	Hex. Nut 3/4" UNC	48	48	48
18	20.66.0085	Stud Bolt 2.1/16" x 320mm	01	01	01
19	20.11.5026	Castle Nut 1.3/4" UNF	01	01	01
20	40.16.5080	Hex. Nut 5/8" UNC	64	72	80
21	40.16.2018	Hex. Bolt 1" UNC x 9"	04	04	04
22	40.16.5245	Hex. Nut 3/4" UNC	16	16	16
23.a	20.67.0054	Assembled Front Scraper	16	18	20
23.b	20.67.0055	Assembled Rear Scraper	16	18	20
24	40.01.5245	Spring Washer 1"	12	12	12
25	20.67.0056	Scraper Support	32	36	40
26	22.66.0049	French Bolt 1" x 4.1/2"	01	01	01
27	22.34.2049	Spanner 1/2" x 5/8"	01	01	01
28	21.32.0012	Pin 1/2" x 150mm	02	02	02
29	22.34.2050	Spanner 3/4" x 1"	01	01	01

ITEM	CODE	DESCRIPTION	32	36	40
30	21.28.0034	Bolt Lock	08	08	08
31	40.16.5580	Hex. Bolt 1" UNC x 3.1/2"	12	12	12
32	20.34.0002	Washer 1"	08	08	08
33	40.16.0010	French Bolt 5/8" UNC x 2"	64	72	80
34	40.01.5242	Spring Washer 3/4" UNC	02	02	02
35	40.16.5079	Hex. Nut 3/4" UNC	02	02	02
36	22.75.0060	Oin 1.1/2" x 130mm	02	02	02
37	40.01.5270	Spring Washer 5/8"	64	72	80
38	40.03.5028	Cotterpin 1/4" x 3"	09	09	09
39	20.66.0077	Threaded Pin 1.1/4" x 200mm	06	06	06
40	40.16.5094	Castle Nut 1.1/4"	06	06	06
41	40.03.5027	Cotterpin 3/16" x 2"	06	06	06
42	40.07.5034	Nipple Grease 1/8"	15	15	15
43	20.66.0079	Pin with Washer 1.1/2" x 210mm	01	01	01
44	40.20.0084	Lock Pin 7/16" x 2"	01	01	01
45	21.66.0342	Lock Plate	01	01	01
46	22.75.0059	Pin 1.1/2" x 173mm	02	02	02
47	40.16.5086	Hex. Bolt 3/4" UNC x 5"	02	02	02
48	22.66.0048	Pin 2" x 173mm	01	01	01
49	40.03.0009	Cotterpin 1/4" x 2"	02	02	02
50	40.16.0302	Hose Clamp	03	03	03
51	40.13.0249	Hydraulic Hose 1/2" x 530mm	02	02	02
52	40.01.5315	Spring Washer 1/2"	66	74	82
53	20.67.0025	Wearing Scraper Plate	32	36	40
54	40.13.0192	Hose 1/2" x 3500mm	01	01	01
55	40.13.0220	Hose 1/2" x 4500mm	01	01	01
56	40.13.0226	Hose 1/2" x 8500mm	01	01	01
57	40.13.0227	Hose 1/2" x 9000mm	01	01	01
58	20.66.0127	Angled Spanner	01	01	01
59	20.66.0123	Flat Spanner	01	01	01
60	40.14.5608	Nipple 1/2" NPT x 1/2" NPT	08	08	08
61	40.13.0049	Male Coupler 1/2" with protection	04	04	04
62	40.14.5603	Nipple MF 1/2" NPT x MF 7/8" UNF JIC	08	08	08
63	40.14.0054	Female T Joint 1/2" NPT	02	02	02





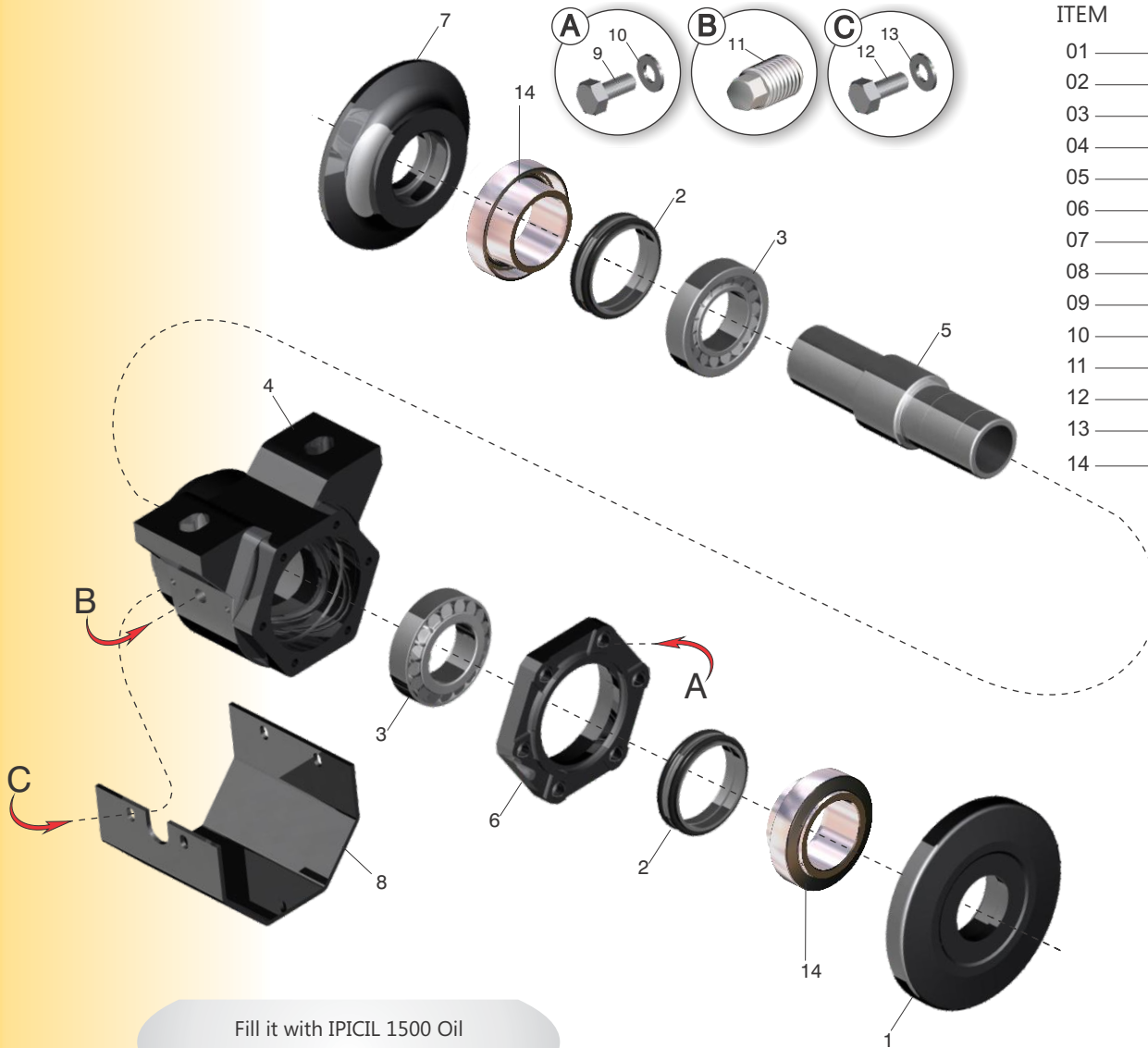
EXPLODE VIEW

ITEM	CODE	DESCRIPTION	32	36	40
64	40.16.5418	Hex. Bolt 1/2" BSW x 3/4"	02	02	02
65.a	40.11.0055	Disc Gang GAISI 32	01		
65.b	40.11.0046	Disc Gang GAISI 36		01	
65.c	40.11.0054	Disc Gang GAISI 40			01
66	40.16.0035	French Bolt 3/4" x 3.1/2"	24	24	24
67	21.32.0014	Square Washer	24	24	24
68	20.11.0031	Washer 3/4"	24	24	24





Oil Bath Bearing



ITEM	CODE	DESCRIPTION	QUANTITY
01	40.01.0302	Convex Washer	01
02	40.18.0173	Duo Cone Retainer	02
03	40.18.0027	Bearing	02
04	40.03.0576	Housing Bearing	01
05	40.02.0160	Bearing Axle	01
06	40.20.0423	Bearing Cap	01
07	40.01.0301	Concave Washer	01
08	40.03.0574	Bearing cover	01
09	40.16.5139	Hexagon Bolt 3/8" UNC x 1.1/4"	06
10	40.01.0053	Spring Washer 3/8"	06
11	40.02.0038	Drain Plug	01
12	40.16.5418	Hex. Bolt 1/2" x 3/4" UNC	02
13	40.01.5411	Flat Washer 1/2"	02
14	40.19.0267	Retainer Support	02

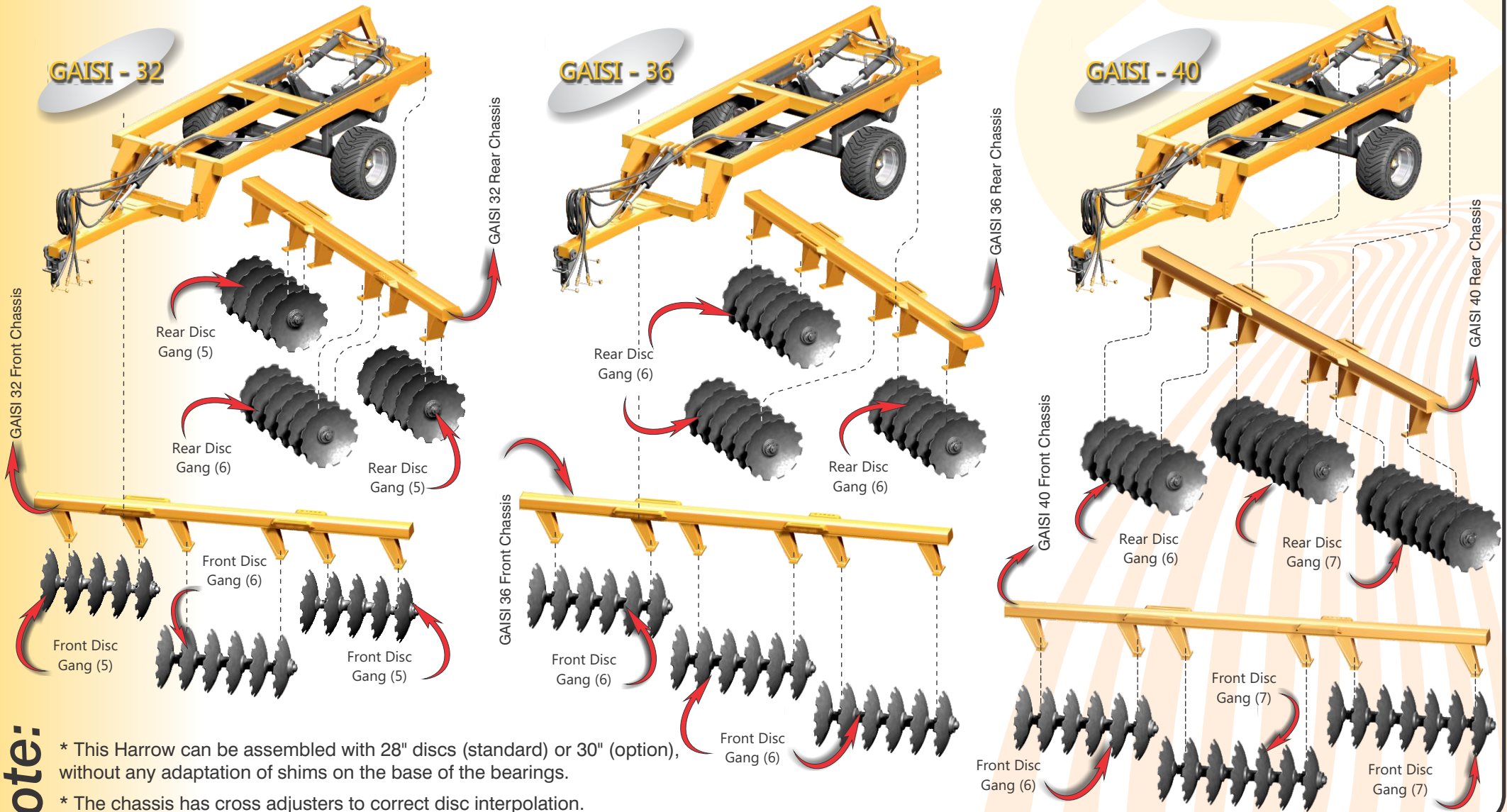
Fill it with IPICIL 1500 Oil
(without soup) - Quantity: 0,400 Liters

(* Silicon Ultra Cooper





Disc Gang View



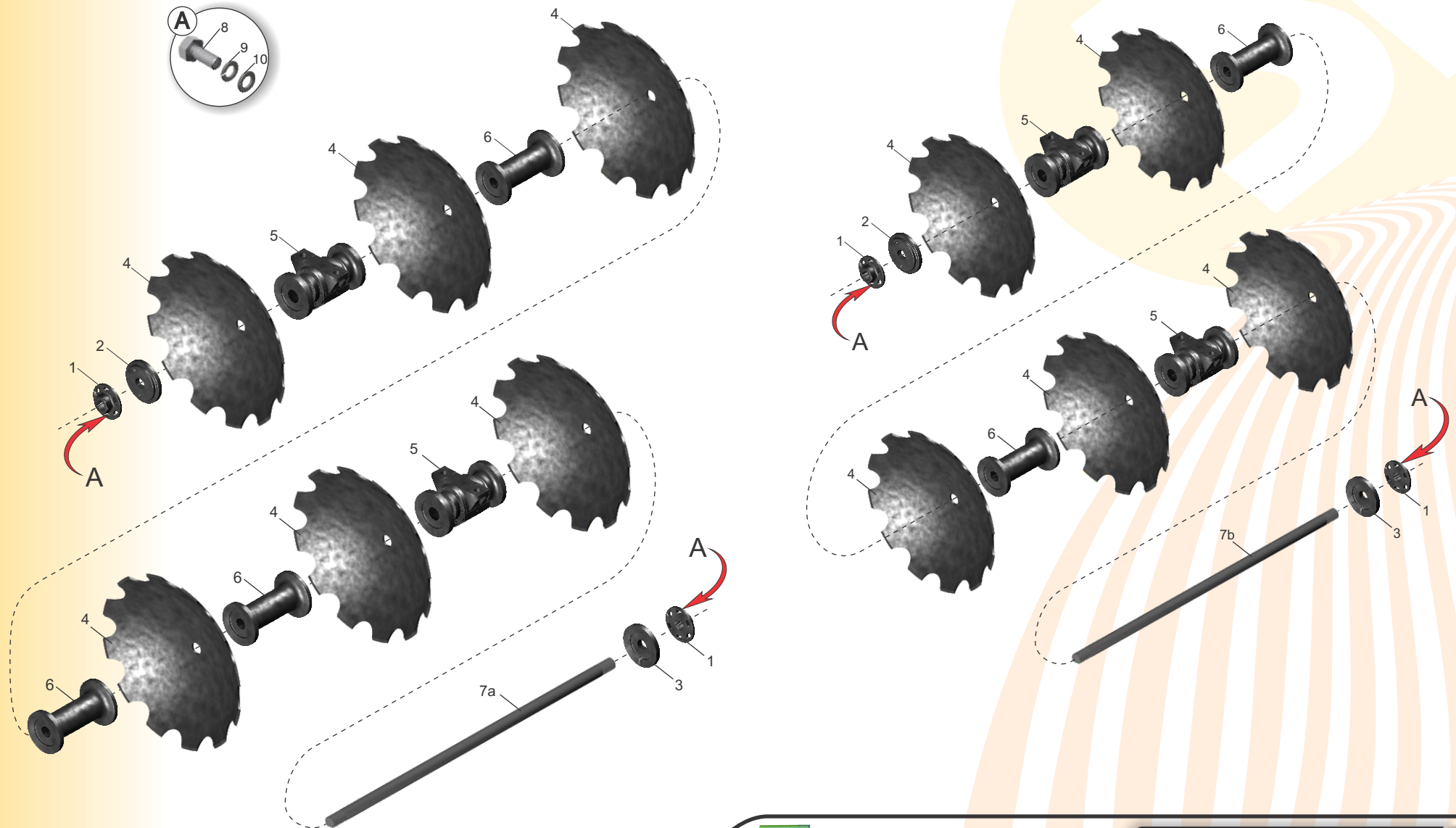
Note:

- * This Harrow can be assembled with 28" discs (standard) or 30" (option), without any adaptation of shims on the base of the bearings.
- * The chassis has cross adjusters to correct disc interpolation.
- * Front x Rear, offers a sharper cutting angle.





GAISI 32 Disc Gang





GAISI 32 Disc Gang

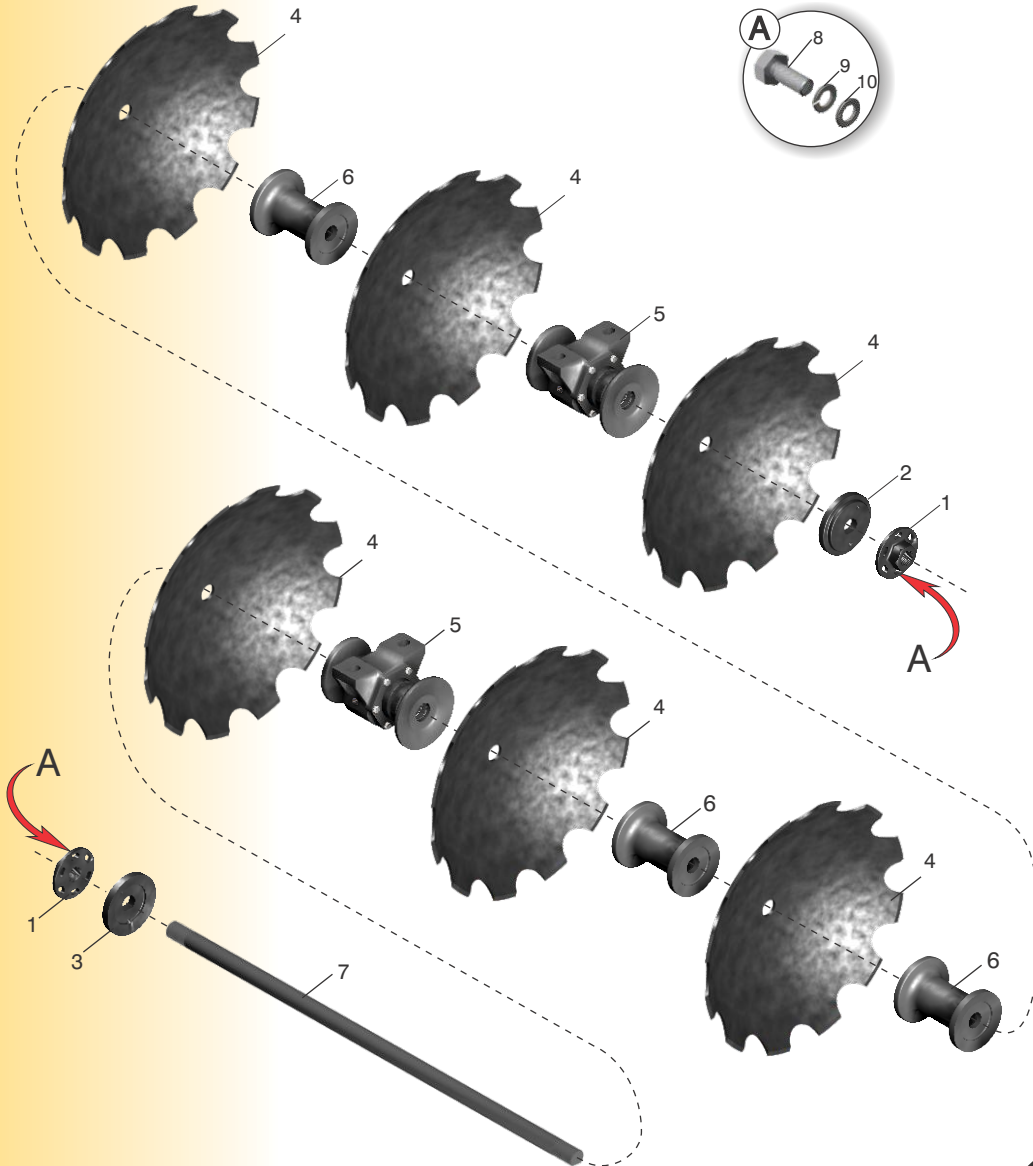
ITEM	CODE	DESCRIPTION	QUANTITY
01	40.16.0322	Flare Nut	12
02	40.01.0319	Internal Support	06
03	40.01.0320	External Support	06
04	40.04.0022	Notched Disc 28"	32
05	40.13.0138	Oil Bath Bearing (page 06)	12
06	40.19.0045	Spacer	14
07a	40.05.0217	Shaft 1.3/4" x 1555mm	02
07b	40.05.0215	Shaft 1.3/4" x 1290mm	04
08	40.16.5227	Hex. Bolt 1/2" x 1.1/4" UNC	24
09	40.01.5315	Spring washer 1.2"	24
10	40.01.5411	Flat washer 1/2"	24

Note: Option: 30" disc
40.04.5537





GAISI 36 Disc Gang



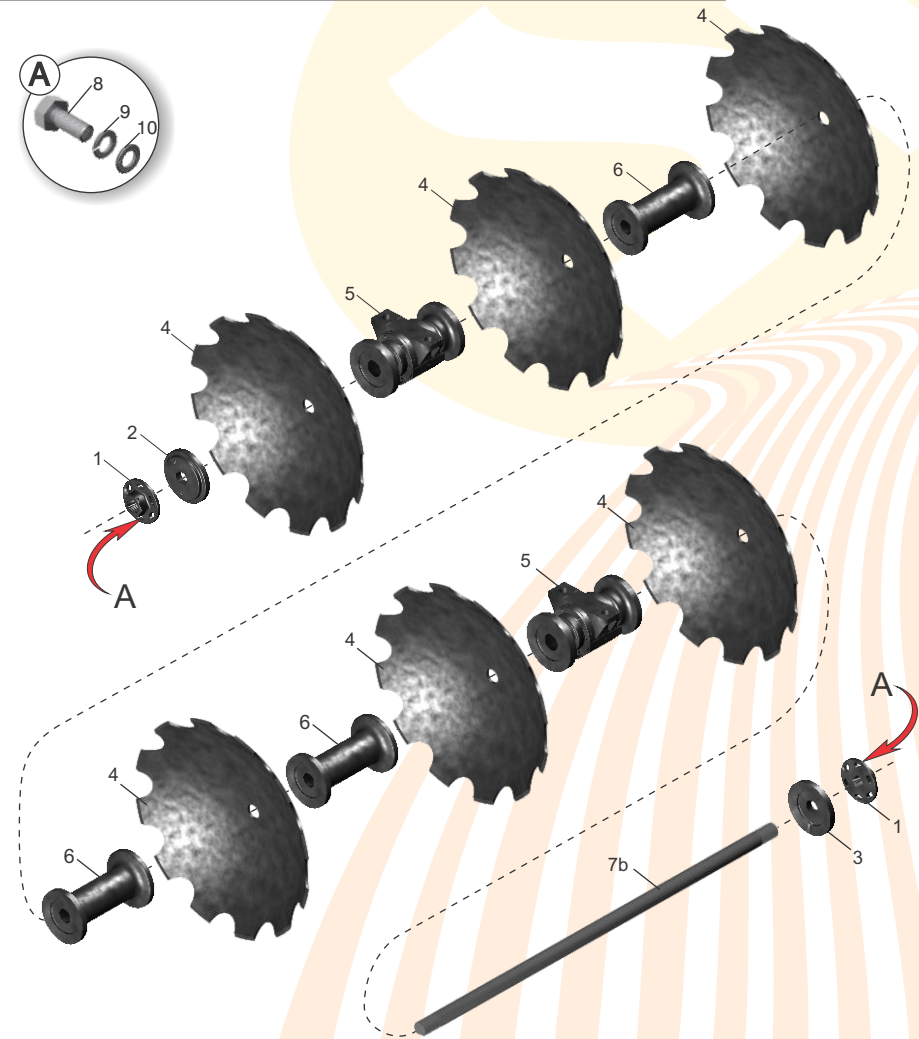
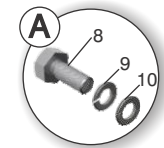
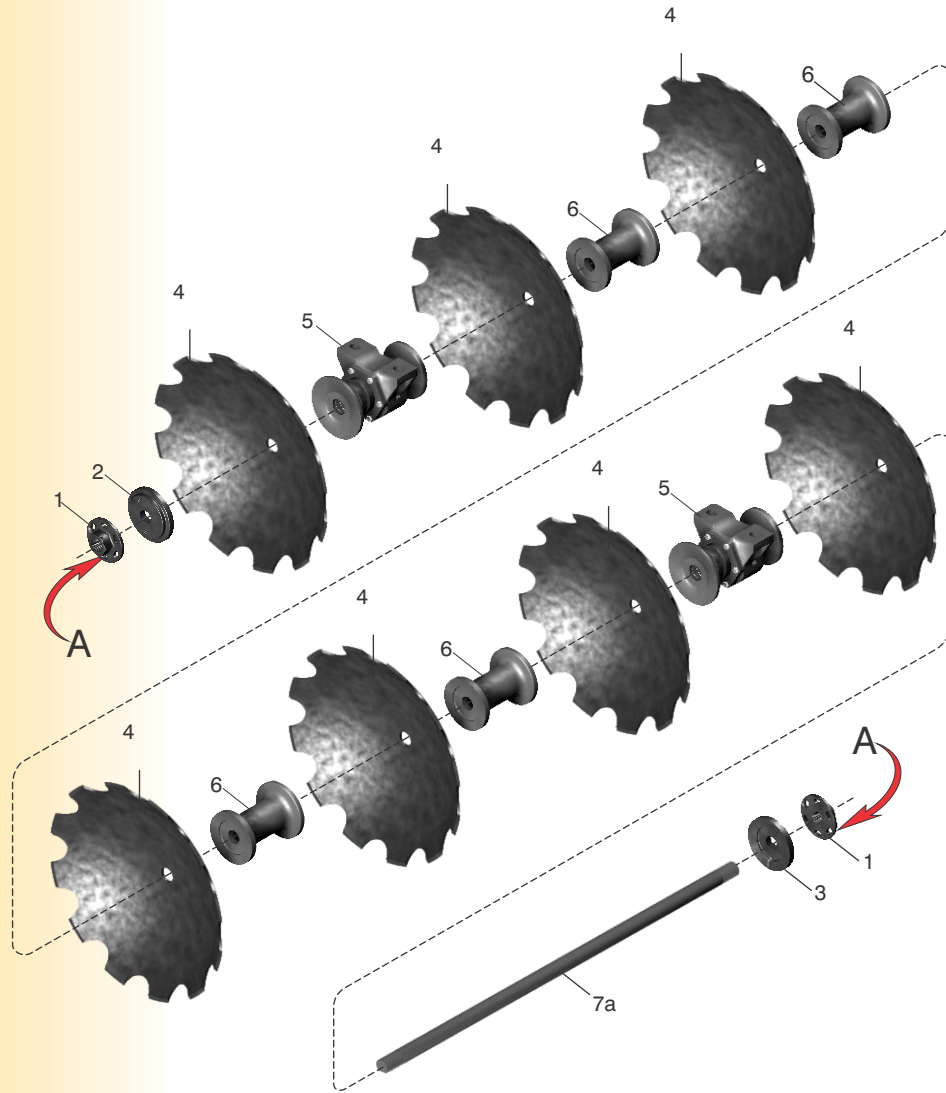
ITEM	CODE	DESCRIPTION	QUANTITY
01	40.16.0322	Flare Nut	12
02	40.01.0319	Internal Support	06
03	40.01.0320	External Support	06
04	40.04.0022	Notched Disc 28"	36
05	40.13.0138	Oil Bath Bearing (page 06)	12
06	40.19.0045	Spacer	18
07	40.05.0217	Shaft 1.3/4" x 1555mm	06
08	40.16.5227	Hex. Bolt 1/2" x 1.1/4" UNC	24
09	40.01.5315	Spring washer 1.2"	24
10	40.01.5411	Flat washer 1/2"	24

Note: Option: 30" disc
40.04.5537





GAISI 40 Disc Gang





GAISI 40 Disc Gang

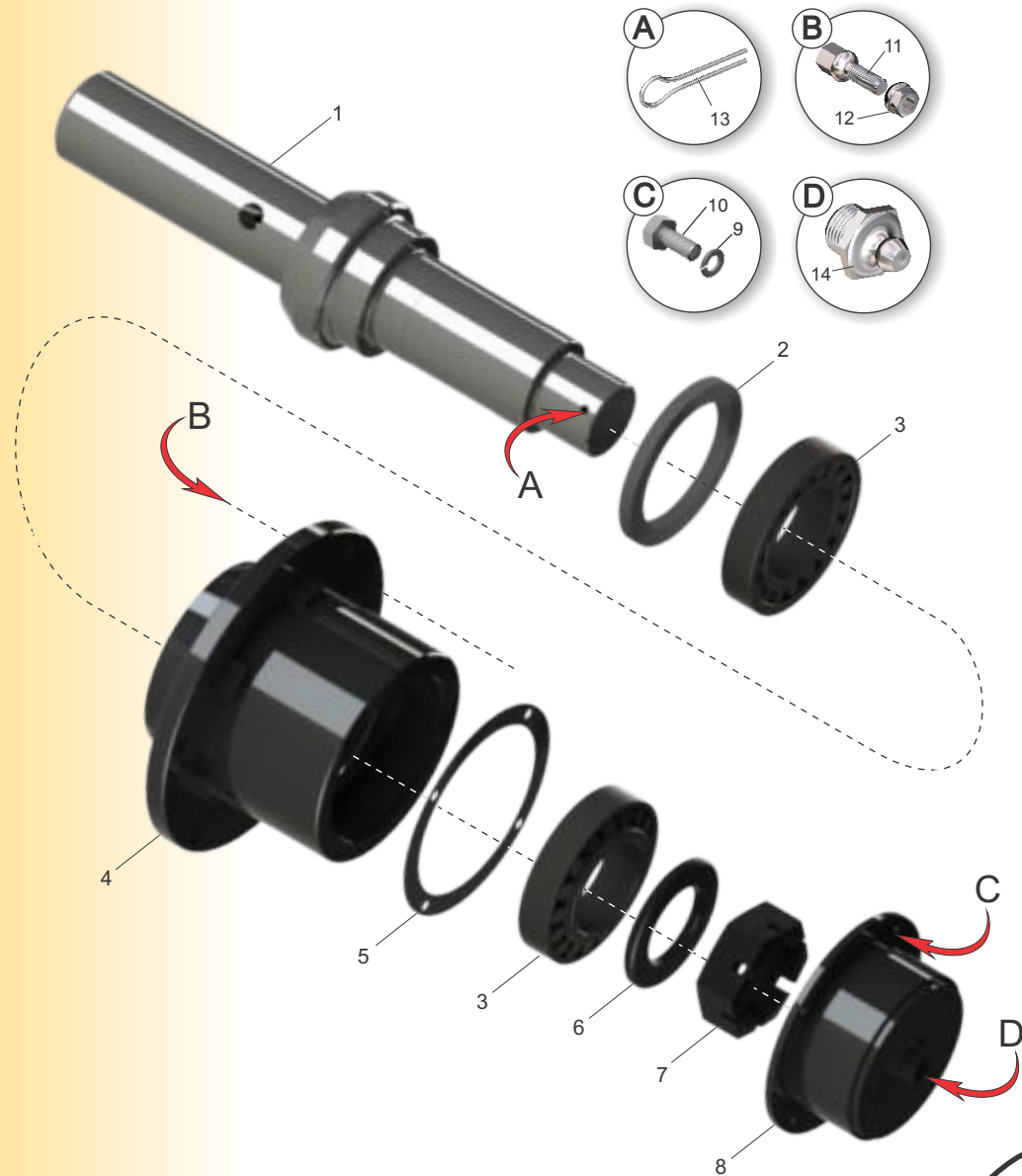
ITEM	CODE	DESCRIPTION	QUANTITY
01	40.16.0322	Flare Nut	12
02	40.01.0319	Internal Support	06
03	40.01.0320	External Support	06
04	40.04.0022	Notched Disc 28"	40
05	40.13.0138	Oil Bath Bearing (page 06)	12
06	40.19.0045	Spacer	22
07a	40.05.0218	Shaft 1.3/4" x 1825mm	04
07b	40.05.0217	Shaft 1.3/4" x 1555mm	02
09	40.01.5315	Hex. Bolt 1/2" x 1.1/4" UNC	24
09	40.01.5315	Spring washer 1.2"	24
10	40.01.5411	Flat washer 1/2"	24

Note: Option: 30" disc
40.04.5537





Wheel Hub

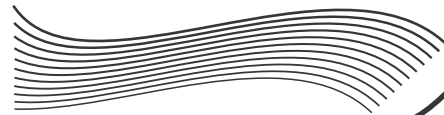


ITEM	CODE	DESCRIPTION	QUANTITY
01	20.23.0521	Wheel Axle	01
02	40.18.2195	Retainer 02195 BR-BI-NBR	01
03	40.18.0216	Bearing 32216	02
04	21.23.0222	Wheel Hub	01
05	21.23.0221	Gasket Seal	01
06	21.88.0134	Thrust Washer	01
07	21.88.0135	Castle Nut	01
08	21.23.0220	Housing Lid	01
09	40.01.0003	Spring Washer 5/16"	04
10	40.16.0133	Hex. Bolt 5/16" x 3/4" UNC	04
11	40.16.0303	Hex. Bolt 3/4" x 2.3/16" UNF	06
12	40.16.5693	Conic Nut 3/4"	06
13	40.03.5028	Cotterpin 1/4" x 3"	01
14	40.07.5034	Straight Grease 1/8"	01





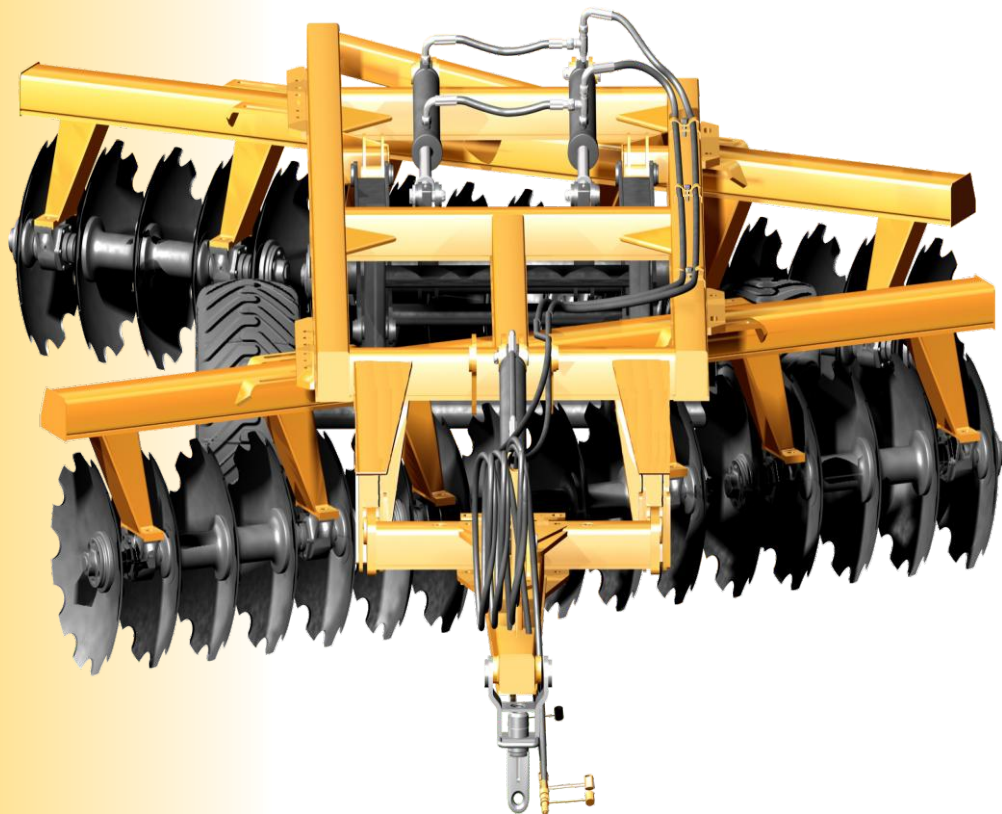
SANTA IZABEL
Implementos Agrícolas



NOTES

SANTA IZABEL INTERMEDIATE DISC HARROW

Illustration **GAISI - 32**



SANTA IZABEL Implementos Agrícolas Ltda

Avenida Dolores Martins Rubinho, 901 - Distrito Industrial II

CEP: 13.877-757 - São João da Boa Vista - São Paulo - Brasil

Fone: (55) (19) 3636.2100 - Fax: (55) (19) 3636.2105

e-mail: santaizabel@santaizabel.ind.br - Site: www.santaizabel.ind.br



Ilustração: _____
Equipcanna - Equipamentos Agrícolas

Parts Catalogue
2007

